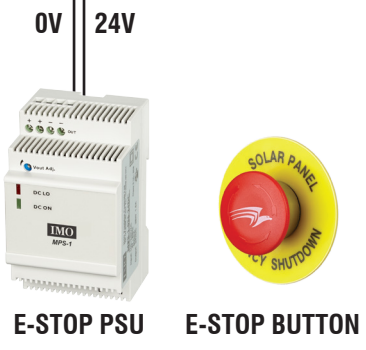
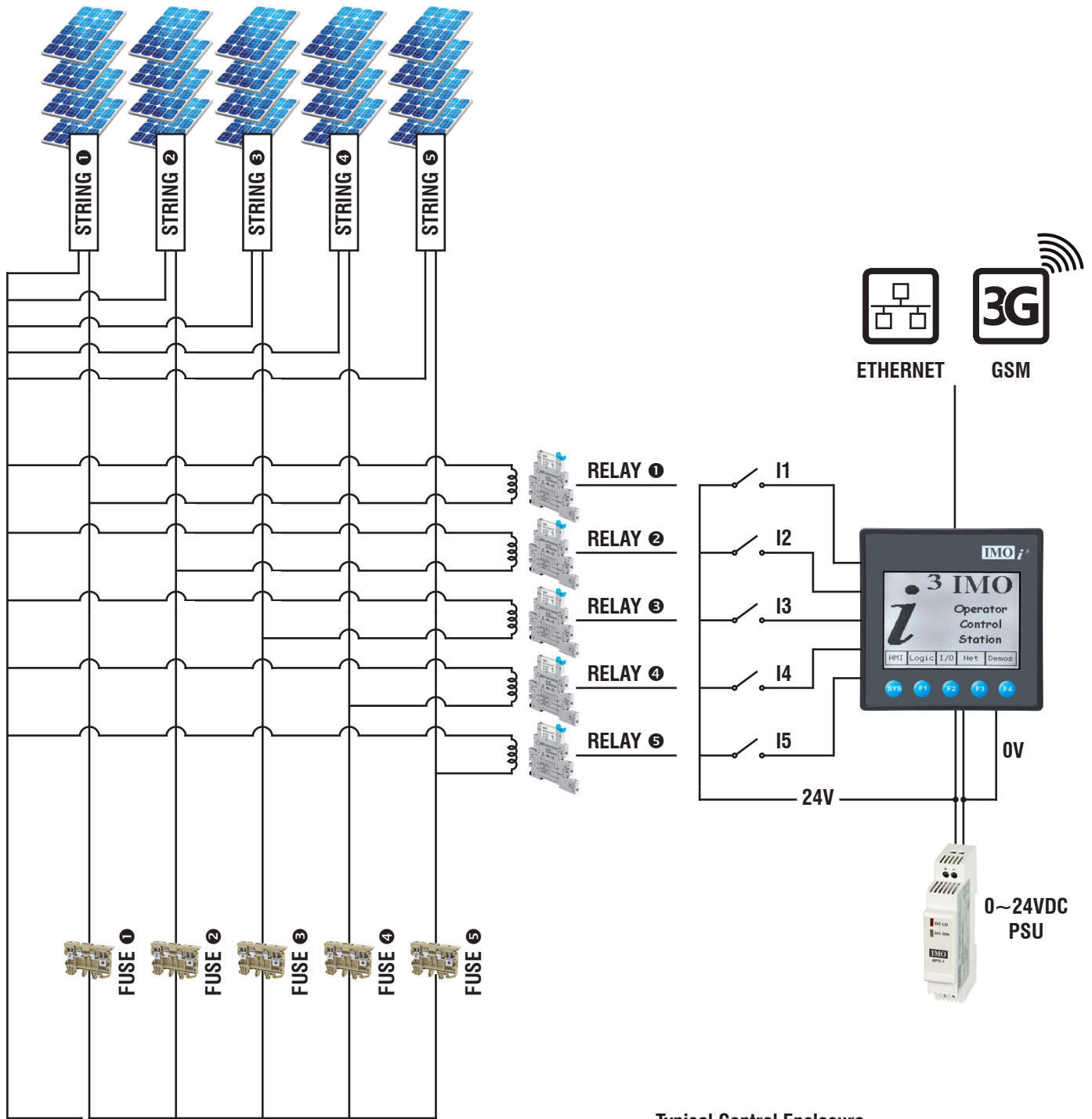


# Example FRS-02 Monitored System Layout



Typical Control Enclosure

